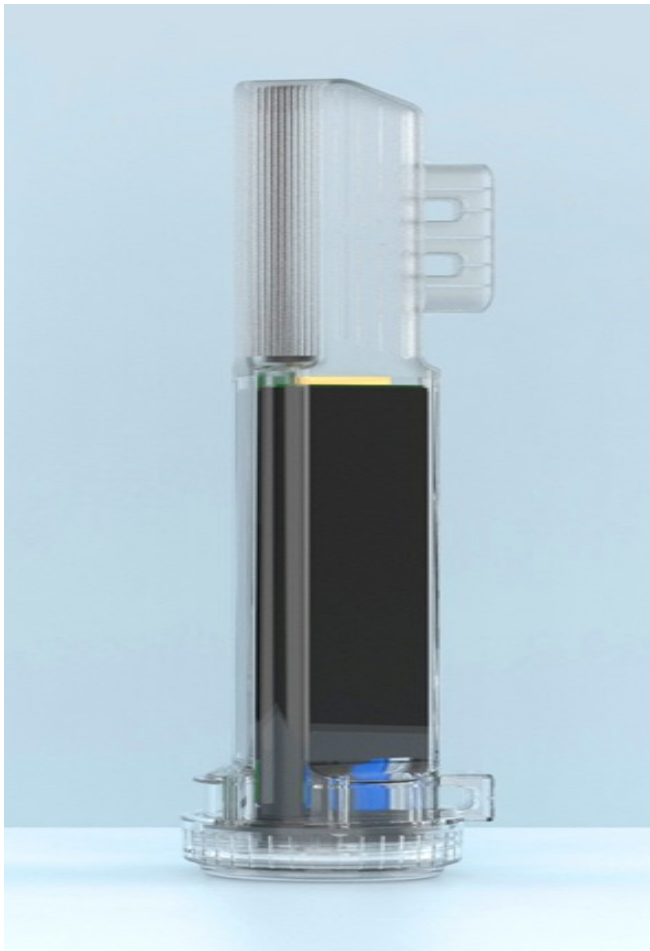


# AIS Solar Fishing Net Buoy

Model : MT-300

Frequency: 161.975~162.025MHz



**Solar**

Infinite life

**Switch**

Magnetic switch

**10W**

Transmission power

**8-12nm**

Transmitting range

**IP68**

Higher waterproof

**GPS**

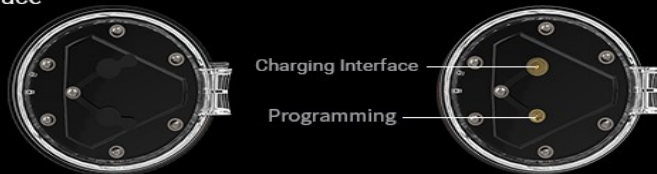
High precision

## Specifications

### Size and Weight



### Interaction and Interface



### Battery

2600mAh  
Unlimited battery life

### Transmitting

Communication Distance: 12nm  
Transmitting Power: 10W  
Transmitting Interval: 30 seconds /1 minute /90 seconds /2 minutes /3 minutes

### Current-voltage

Voltage: 7.4V DC  
Current: 1A (Moment of transmitting)  
less than 1mA (Transmitting interval)

### Environment

Waterproof gradation: IP68  
Operating temperature: -10°C—60°C

### Package Contents

The body of AIS buoy



## Infinite life

In sunny conditions

1

days in the sun

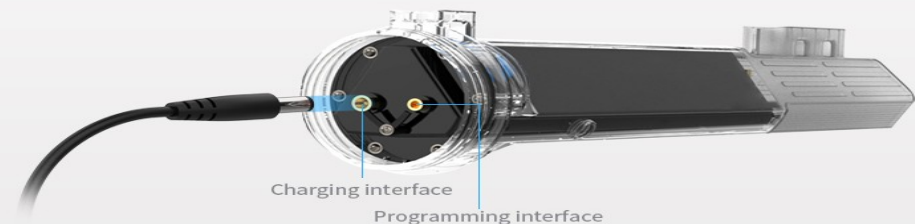
3

days in the work

## Two charging modes No fear of cloudy and rain

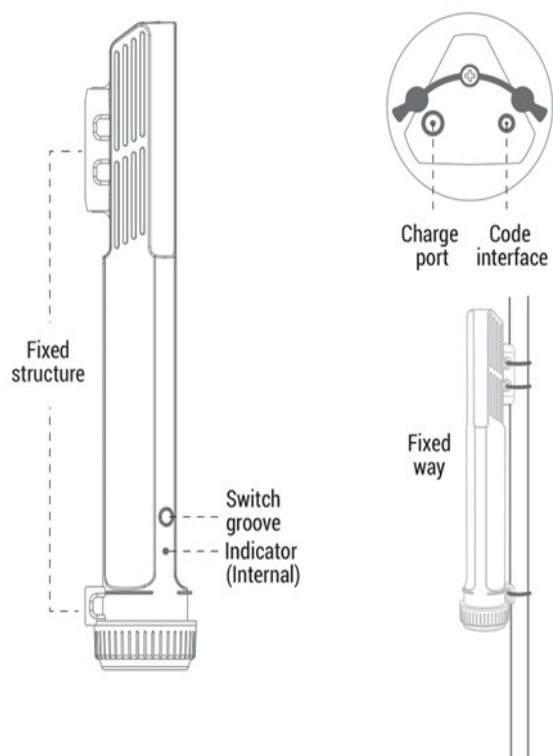
### Use blind hole insert

Support Solar charging and battery charging  
Even if it is continuously cloudy, there is no need to worry



## 01 Introduction

Thanks for buying MT300 AIS Buoy. When binding the device, avoid winding the rope around the grid position meter to avoid blocking the solar panel.

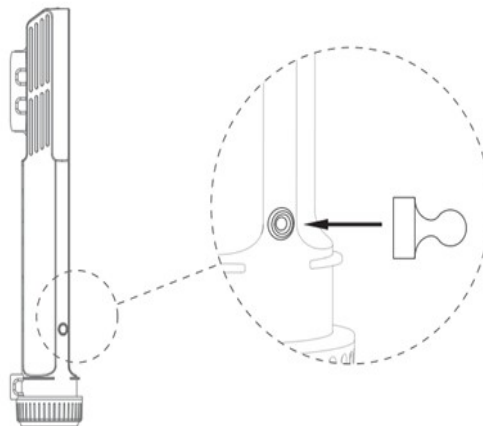


## 02 Power on/off

An annular groove can be seen in the middle lower part of the buoy. Using magnet switch to open and shut down the device.

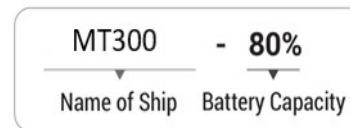
When the buoy is in the shutdown state (the indicator is not on). Put magnet switch near the groove to open the buoy. Indicator LED will flash slowly after 2 seconds and the device is started successfully.

When the buoy is on, put magnet switch near the groove, indicator will stop and the device shut down successfully. Magnet switch should be placed far away from buoy during the power on state.



## 03 Power and Charging

The battery capacity of the Buoy is displayed after the name of the ship to represent the remaining capacity, which can be shown in AIS receiver equipment.



AIS solar energy buoy supports solar charging and charger charging. When the power of the buoy is low, the buoy can be placed under the sun or the charger can be inserted into the charging interface for charging.

When the buoy runs out of power, it needs four hours to charge with a charger. In sunny condition, it will take 3-8 days to charge when the buoy is placed under the sun. When the buoy is fully charged, in sunny condition, can realize unlimited endurance.

**Unlimited Endurance**  
In sunny conditions

## 04 Indication

---

Location	Color	State	Working state
Buoy	Green	Flash slowly	Searching for GPS signals
		Flash quickly	Power on/off
	Red	Flash slowly	Low battery
	Yellow	Always lighting	Charging
	Nothing	Nothing	Power off
Charger	Green	Always lighting	Charging completed
	Red	Always lighting	Charging



**Be sure to tighten the transparent bottom before the formal operation!**



**Please charging the buoy in the ventilated environment, do not charging in easy combustion environment.**



**Please pay attention to the direction and do not block the solar panel of the device when binding.**

# MT300

## Solar AIS Buoy

---

## Manual