

DVBT Passive Antenna

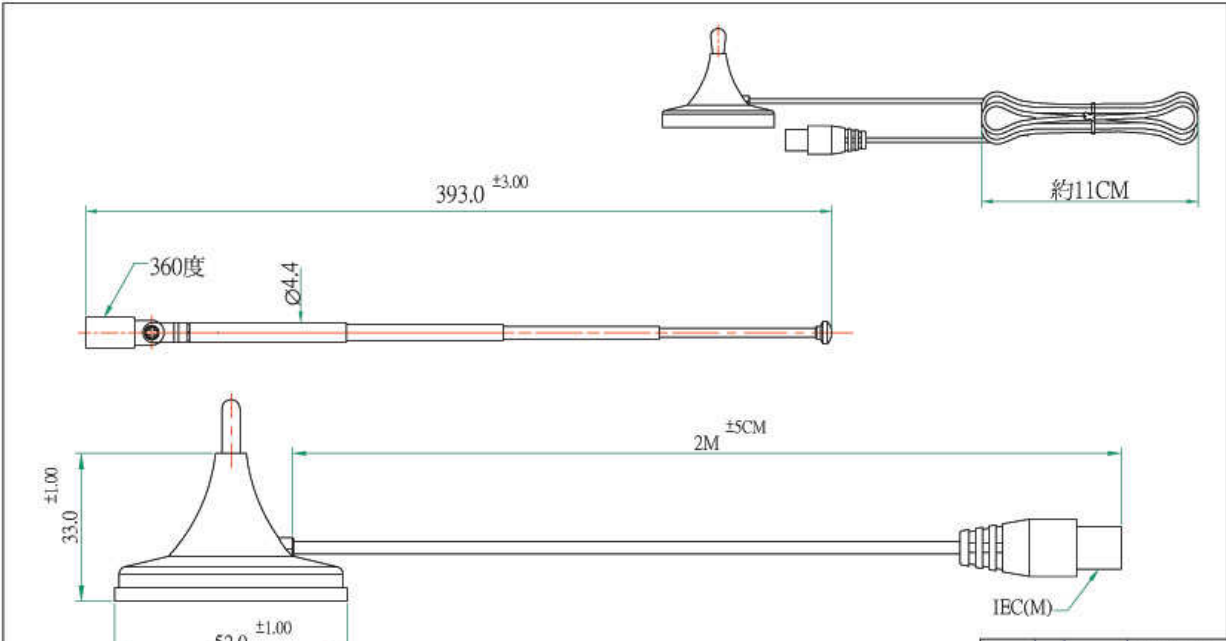
MODEL: DAP-100



Specifications:

Frequency range:	VHF+UHF 170~240Mhz with 480~860Mhz
Gain:	3 dBi (Max)
V.S.W.R:	1.5:1
Impedence:	50 ohm
Voltage	5V
Cable	RG174 -3M or 5M
Connector:	F / IEC / SMA----
Dimension:	Magnet Base: OD52mm x 33mm Antenna : 4.4mm x 132.5mm(Shorten) (360° Rotate) 4.4mm x 393mm(Stretch)
Weight:	100g

* This specification is subject to change without prior notice



版次 Revision	Δ	年月日 yy mm dd	變更記号 Notes
----------------	---	-----------------	---------------

1			
---	--	--	--

圖名 Drawing Name	成品圖 Finished product Drawing	圖號 Drawing No.	DAP-100-IEC	電腦名 Computer File Name	D:\共用圖 D:\common Drawing\00	繪圖 Drawing By	JENNY 971118	核准 Checked By	單位 Unit	mm	材質 Material
									比例 Proportion	1:1	表面處理 Surface Proceeding